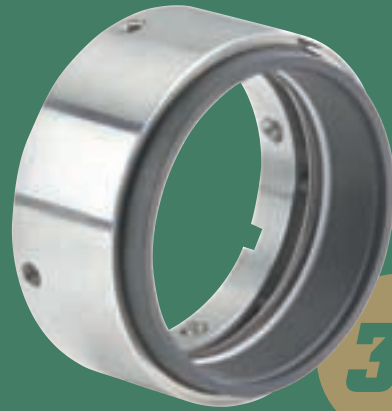


GROUP

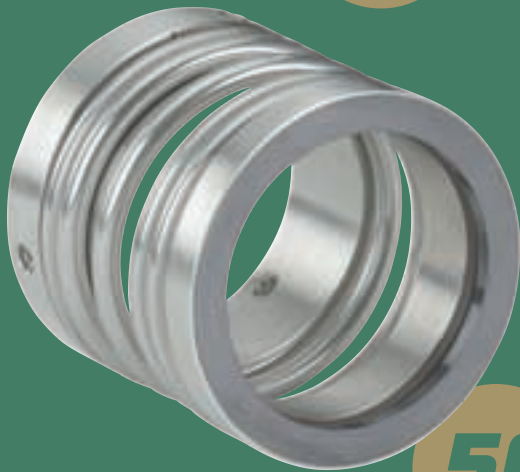
10 · 30 · 50 · 110 · 250 · 350



10



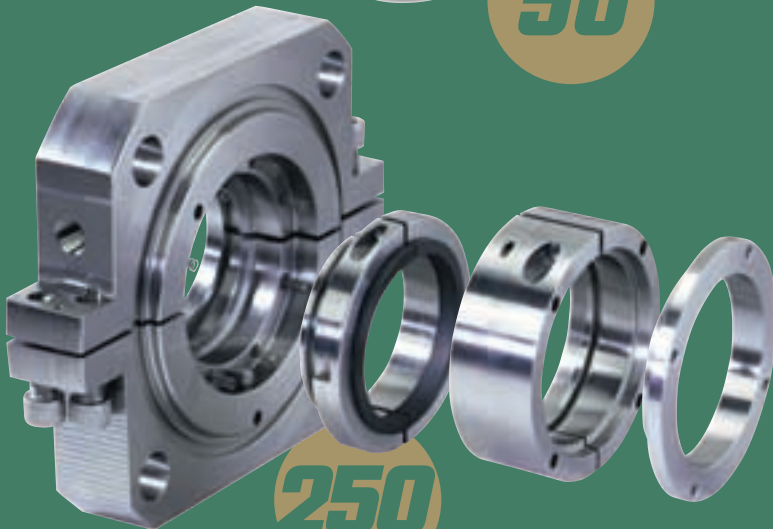
30



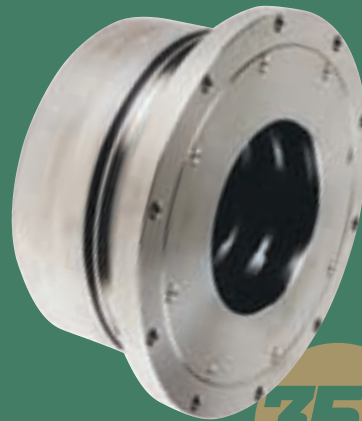
50



110



250



350

specs

type 10

Aircraft Style

Description:

This is a stationary seal used for the high speed applications. This seal can be balanced without having to undercut the shaft.

Typical Applications:

Gear boxes, Pumps,
Compressors, Mixers

Performance Parameters:

Pressure:

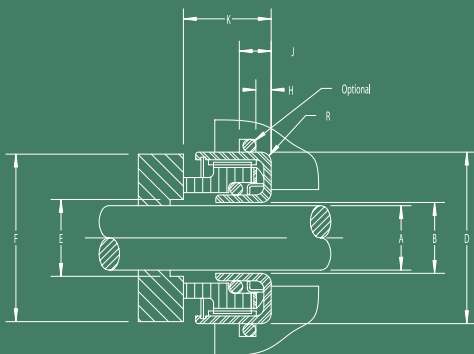
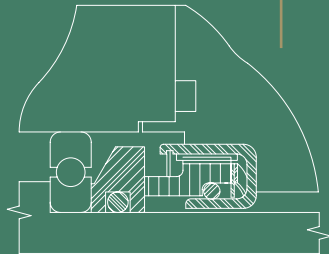
350 psi O.D.
25 psi I.D.

Temperature:

Up to 500 °F

Speed:

20,000 sfpm



type 30

Industrial Style

Description:

This seal is mounted on the shaft, it has a low radial cross section making it ideal when cavity dimensions are limited. For even shallower cavity dimensions, specify with a "T" suffix. Can be driven with set screws or a pin.

Typical Applications:

Petrochemical pumps,
Mixers, Agitators

Performance Parameters:

Pressure:

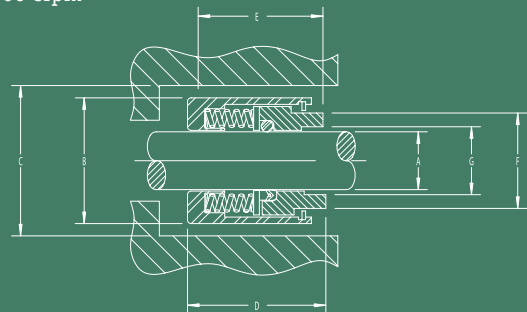
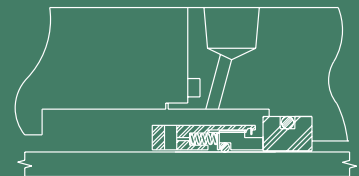
350 psi O.D.
25 psi I.D.

Temperature:

Up to 750 °F

Speed:

4,500 sfpm



type 50

Marine Style

Description:

This is a shaft mounted seal of simple construction. Useable in many low pressure applications.

Typical Applications:

Centrifugal and Rotary Pumps,
Gearboxes, Refrigeration
Compressors, Mixers, Agitators

Performance Parameters:

Pressure:

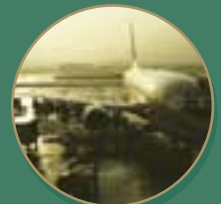
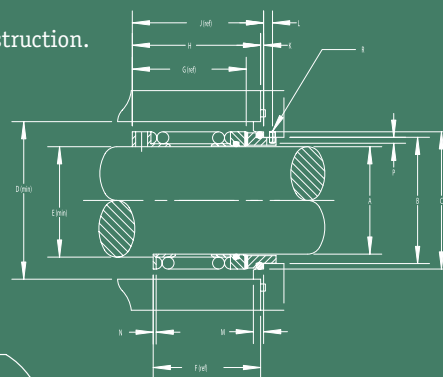
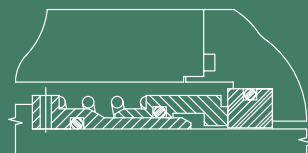
150 psi O.D.
25 psi I.D.

Temperature:

Up to 500 °F

Speed:

4,500 sfpm



type 110

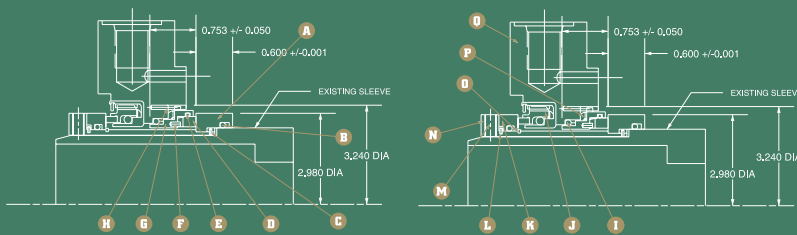
Cartridge Seal

Description

| | |
|----------|--------------|
| A | Mating Ring |
| B | O-Ring |
| C | Drive Pin |
| D | Seal Face |
| E | O-Ring |
| F | Drive Pin |
| G | Face Carrier |
| H | Drive Pin |
| I | O-Ring |
| J | Face Carrier |
| K | Mating Ring |
| L | Drive Pin |
| M | Set Screws |
| N | Sleeve |
| O | Retainer |
| P | Wave Spring |
| Q | Gland Plate |

Typical Materials of Construction

| | | |
|----------------------|---|----------------------------------|
| Gland Plate | 316 Stainless Steel, 303 Stainless Steel, Inconel 625, Hastelloy B ...other materials | Q |
| Elastomer | Viton® (Fluorocarbon), Kalrez® (Perfluoroelastomer) Nitrile, EPDM ...other materials | B E I |
| Primary Sealing Face | Carbon Graphite ...other materials | D |
| Spring | 302 SS, 316 SS, Elgiloy 17-7 PH ...other materials | P |
| Sleeve | 302 SS, 316 SS, Haselloy B Inconel 625 ...other materials | N |
| Mating Ring | 316 SS, 440 C SS Tungsten Carbide, Silicon Carbide, Ni-Resist, Ceramic ...other materials | A K |
| Face Carrier | 316 Stainless Steel, 303 Stainless Steel, Inconel 625, Hastelloy B ...other materials | G J |



type 250

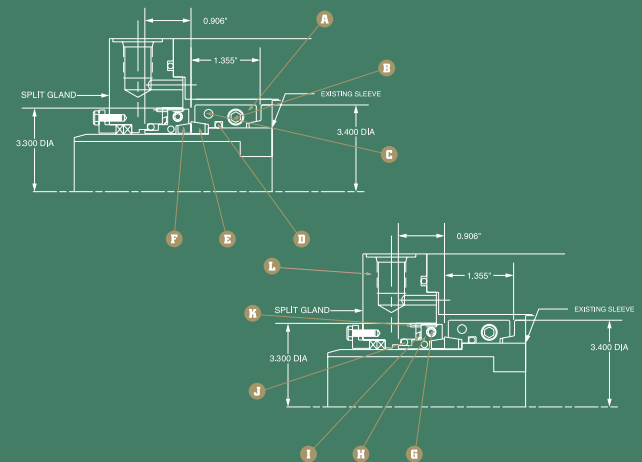
Split Seal

Description

| | |
|----------|--------------|
| A | Carrier |
| B | Screws |
| C | Dowel Pin |
| D | O-Ring |
| E | Mating Ring |
| F | Seal Face |
| G | Screws |
| H | Seal Carrier |
| I | Wave Spring |
| J | O-Ring |
| K | Drive Pin |
| L | Face Carrier |

Typical Materials of Construction

| | | |
|-----------------|---|----------------------|
| Housing | 316 Stainless Steel, 303 Stainless Steel, Inconel 625, Hastelloy B ...other materials | L |
| Elastomer | Viton® (Fluorocarbon), Kalrez® (Perfluoroelastomer) Nitrile, EPDM ...other materials | D J |
| Clearance Rings | Carbon Graphite ...other materials | |
| Spring | 302 SS, 316 SS, Elgiloy 17-7 PH ...other materials | I |
| Mating Ring | 316 SS, 440 C SS Tungsten Carbide, Silicon Carbide, Ni-Resist, Ceramic ...other materials | E |
| Face Carrier | 316 Stainless Steel, 303 Stainless Steel, Inconel 625, Hastelloy B ...other materials | A H |

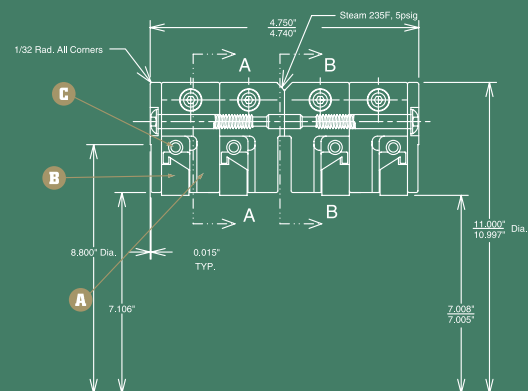


type 350

Shaft Clearance Seal

Typical Materials of Construction

| | | |
|-----------------|---|----------|
| Housing | 316 Stainless Steel, 303 Stainless Steel, Inconel 625, Hastelloy B ...other materials | A |
| Clearance Rings | Carbon Graphite ...other materials | B |
| Spring | 302 SS, 316 SS, Elgiloy 17-7 PH ...other materials | C |



Company Information



Location:

HYDRO-ERGOSEAL, INC.

1040-D National · Addison, IL 60101

Contact:

John Hilaris

{630} 543.2727 tel · {630} 543.7374 fax

HYDRO-ERGOSEAL, INC.

...is dedicated to producing the highest quality Mechanical Seals for Industrial, Marine and Aircraft applications.

Support Services:

- Application engineering
- Functional analysis, related reports and recommendations for application improvements
- Seal repair and replacement services
- Hydro-Ergoseal will maintain agreed upon inventories of special products when unpredictable emergency requirements frequently occur.
- Many more...

John A. Hilaris,
President and CEO

