

TYPE

fifty



specs

type 50

Description:

This is a shaft mounted seal of simple construction. Useable in many low pressure applications.

Typical Applications:

Centrifugal and Rotary Pumps,
Gearboxes, Refrigeration
Compressors, Mixers, Agitators

Performance Parameters:

Pressure:

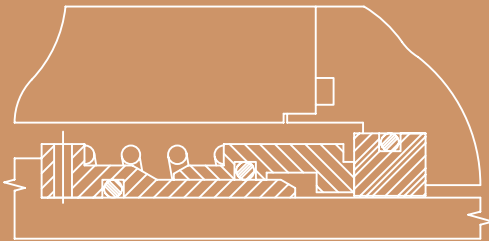
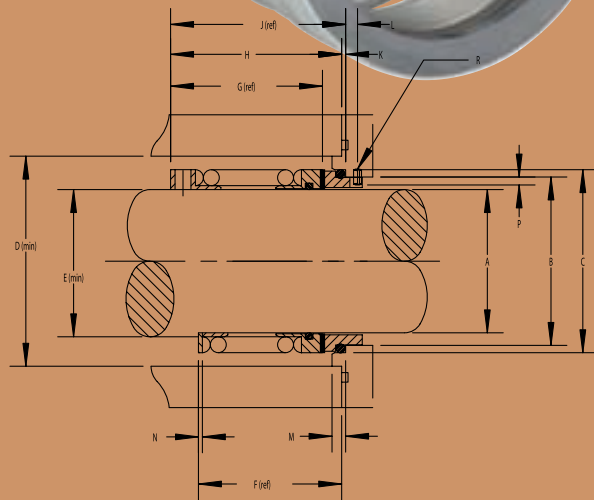
150 psi O.D.
25 psi I.D.

Temperature:

Up to 500 °F

Speed:

4,500 sfpm



Balance Seal 50B



Dash Size	A Shaft	B Seal	C Bore	D Clear	E Step. Dia.	F	G Op't'g Length
-16	1.000	1.332	1.562	1.687	1.062	1.563	1.573
-18	1.125	1.457	1.688	1.812	1.250	1.625	1.636
-20	1.250	1.586	1.812	1.937	1.375	1.750	1.761
-22	1.375	1.711	1.937	2.062	1.500	1.875	1.886
-24	1.500	1.836	2.062	2.187	1.625	1.875	1.886
-26	1.625	1.961	2.188	2.312	1.750	1.875	1.886
-28	1.750	2.086	2.312	2.437	1.875	1.875	1.886
-30	1.875	2.270	2.500	2.625	2.000	2.062	2.198
-32	2.000	2.395	2.625	2.750	2.125	2.188	2.323
-34	2.125	2.520	2.750	2.875	2.250	2.250	2.386
-36	2.250	2.645	2.875	3.000	2.375	2.250	2.386
-38	2.375	2.770	3.000	3.187	2.500	2.375	2.511
-40	2.500	2.895	3.125	3.312	2.625	2.375	2.511
-42	2.625	3.020	3.250	3.437	2.750	2.500	2.636
-44	2.750	3.145	3.375	3.562	2.875	2.500	2.636
-46	2.875	3.270	3.500	3.750	3.000	2.656	2.823
-48	3.000	3.520	3.750	3.875	3.125	2.906	3.073
-50	3.125	3.645	3.875	4.000	3.250	2.906	3.073
-52	3.250	3.770	4.000	4.125	3.375	2.906	3.073
-54	3.375	3.895	4.125	4.250	3.500	2.938	3.073
-56	3.500	3.020	4.250	4.375	3.625	2.938	3.073
-58	3.625	4.145	4.312	4.562	3.750	3.125	3.261
-60	3.750	4.270	4.500	4.687	3.875	3.125	3.261
-62	3.875	4.395	4.625	4.812	4.000	3.125	3.261

type 50's

type 51

Description:

This seal is similar to the Type 50, but it is balanced for I.D. or O.D. pressure.

Typical Applications:

Centrifugal and Rotary Pumps,
Gearboxes, Refrigeration
Compressors, Mixers, Agitators

Performance Parameters:

Pressure:

150 psi O.D.

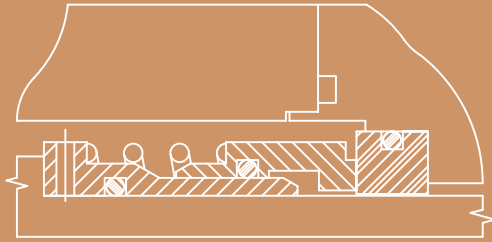
25 psi I.D.

Temperature:

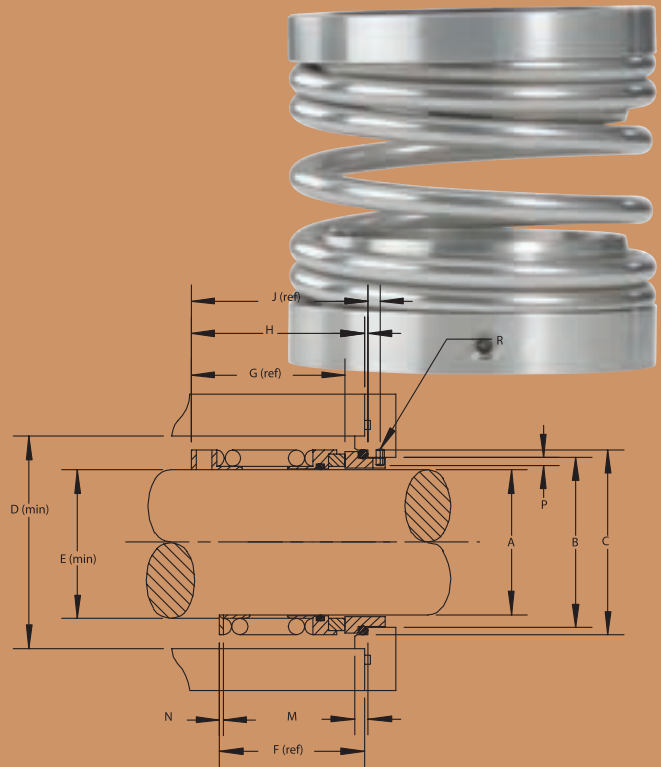
Up to 500 °F

Speed:

4,500 sfpm



Balance Seal 51B



H	J	K	L	M C'Bore Depth	N	P Pin Protrusion	N Pin Dia.
1.875	1.938	0.062	None	0.218	0.062	None	None
1.938	2.000	0.062	None	0.218	0.062	None	None
2.062	2.125	0.062	None	0.218	0.062	None	None
2.188	2.250	0.062	None	0.218	0.062	None	None
2.188	2.250	0.062	None	0.218	0.062	None	None
2.188	2.250	0.062	None	0.218	0.062	None	None
2.188	2.250	0.062	None	0.218	0.062	None	None
2.500	2.562	0.062	0.187	0.218	0.062	0.125	0.125
2.625	2.688	0.062	0.187	0.218	0.062	0.125	0.125
2.688	2.750	0.062	0.187	0.218	0.062	0.125	0.125
2.688	2.750	0.062	0.187	0.218	0.062	0.125	0.125
2.813	2.875	0.062	0.187	0.218	0.062	0.125	0.125
2.813	2.875	0.062	0.187	0.218	0.062	0.125	0.125
2.938	3.000	0.062	0.187	0.218	0.062	0.125	0.125
2.938	3.000	0.062	0.187	0.218	0.062	0.125	0.125
3.125	3.188	0.062	0.187	0.218	0.094	0.125	0.125
3.375	3.438	0.062	0.187	0.218	0.094	0.188	0.125
3.375	3.438	0.062	0.187	0.218	0.094	0.188	0.125
3.375	3.438	0.062	0.187	0.218	0.094	0.188	0.125
3.375	3.438	0.062	0.187	0.218	0.125	0.188	0.125
3.375	3.438	0.062	0.187	0.218	0.125	0.188	0.125
3.563	3.625	0.062	0.187	0.218	0.125	0.188	0.125
3.563	3.625	0.062	0.187	0.218	0.125	0.188	0.125
3.563	3.625	0.062	0.187	0.218	0.125	0.188	0.125



Company Information



Location:

HYDRO-ERGOSEAL, INC.

1040-D National · Addison, IL 60101

Contact:

John Hilaris

{630} 543.2727 tel · {630} 543.7374 fax

HYDRO-ERGOSEAL, INC.

...is dedicated to producing the highest quality Mechanical Seals for Industrial, Marine and Aircraft applications.

Support Services:

- Application engineering
- Functional analysis, related reports and recommendations for application improvements
- Seal repair and replacement services
- Hydro-Ergoseal will maintain agreed upon inventories of special products when unpredictable emergency requirements frequently occur.
- Many more...

John A. Hilaris,
President and CEO

